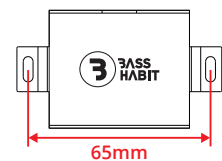
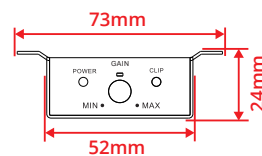
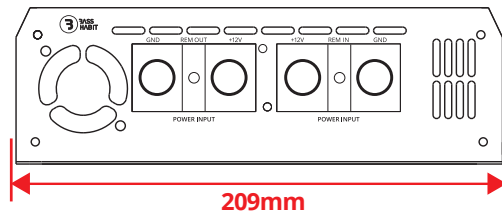
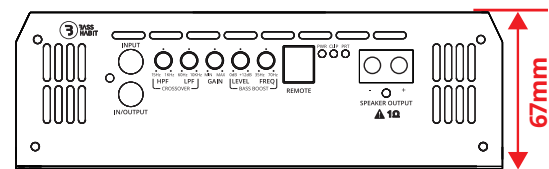
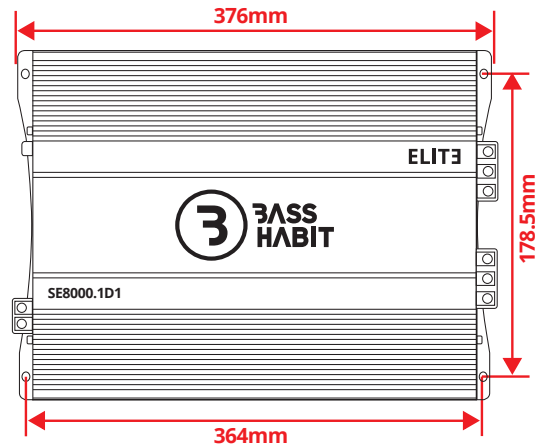


# ELITE

## SE8000.1D1



- ③ 1 channel SPL amplifier, optimized for 1 Ohm load
- ③ Class D Full Range / Full Bridge Technology
- ③ High power amplifier & small form factor
- ③ Great price vs performance ratio
- ③ Versatile 12db / octave High pass filter & Low pass filter
- ③ 4 Way Protection Circuit
- ③ Bass Level Remote including Clip Indicator



Product Specifications	
Power (1 ohm):	1x8000W RMS
Power (2 ohm):	1x5000W RMS
Power (4 ohm):	1x3000W RMS
Power MAX:	16000W MAX
S/N ratio:	100dB
Freq. response:	15Hz - 10KHz
HP filter:	15Hz - 1KHz
LP filter:	60Hz - 10KHz
Bass boost:	0-12 dB (50Hz)
Voltage:	10.5V-15.5V DC

Note! It's strongly recommended to have an additional power source/ battery placed within 2m from the amplifier to get maximum performance.

Minimum 12V+ cable	Recommended REM cable	Minimum GND cable	Recommended fuse rating
2 x 0 AWG / 2 x 50mm <sup>2</sup>	17-10 AWG / 1-6mm <sup>2</sup>	2 x 0 AWG / 2 x 50mm <sup>2</sup>	2x350 A