



**MEET
THE NEW
STANDARD**



OWNERS MANUAL

**SE500.2DF
SE800.2DF
SE500.4DF**

- We greatly appreciate your purchase of the unit.
- Be sure to take maximum advantage of all the unit has to offer, read these instructions carefully and set properly. Be sure to keep this manual for future reference, should any questions or problems arise.

PRE INSTALLATION

WARNING: Playing loud music in an vehicle can hinder your ability to hear traffic and permanently damage your hearing. We recommend listening at low or moderate levels while driving. BASS HABIT accepts no liability for hearing loss, bodily injury or property damage resulting from the use/misuse of this product.

To get the very best performance from your BASS HABIT SPL Elite amplifiers, we recommend that installation be entrusted to a qualified installer. Although these instructions explain how to install BASS HABIT SPL Elite amplifiers in general, they do not show specific installation methods that may be required for your particular vehicle. If you do not have the necessary tools or experience, **do not** attempt the installations yourself. If any uncertainty please ask your car audio dealer about an professional installation.

ADVICE AND TIPS

Turn off the audio system and other electrical devices before you start. Disconnect the negative (-) lead from your vehicle's battery.

Check clearances on both sides of a planned mounting surface before drilling any holes or installing any screws. Remember that the screws can extend behind the surface.

At the installation sites, locate and take note of all fuel lines, hydraulic brake lines, vacuum lines and electrical wiring. Use extreme caution when cutting or drilling in and around these areas.

Before drilling or cutting any holes, use a utility knife to remove unwanted fabric or vinyl to keep material from snagging in a drill bit.

When routing cables, keep input-signal cables away from power cables and speaker wires.

When making connections, make certain they are secure and properly insulated.

Choose a mounting location in an area where the amplifier will not be damaged.

Amplifier cooling is essential for proper amplifier operation. If the amplifier is to be installed in an enclosed space, make sure there is sufficient air circulation for the amplifier to cool itself.

When mounting the amplifier under a seat, ensure that it is clear of all moving parts and does not affect the seat functionality.

Make sure that the amplifier is mounted securely using nuts and bolts or the supplied mounting screws.

Mount the amplifier so that it remains dry - never mount an amplifier outside the vehicle or in the engine compartment.

TROUBLESHOOTING:

Symptom	Check / Control
No audio. (Power LED not active)	Measure voltage at +12V and REM terminals. Check GND connections.
Distorted audio	Check GAIN control, so it is properly set. Check source unit or amplifier, if defective it can cause distortion.
Music lacks bass and attack	Check speaker connections for proper polarity.



The crossed out wheellie bin symbol means that the product, literature and packaging included must be taken to separate collection at the end of their working life. Do not dispose of these products as unsorted municipal waste: take them for recycling. For info on your nearest recycling point, check with your local waste authority.

Winn Scandinavia AB
Adolfsbergsvägen 6, 702 27 Örebro
Sweden

www.winnscandinavia.com

SPECIFICATIONS:

SE500.2DF

- Number of channels: 2 CH
- Power output (RMS) @ 1 ohm: 2x500W
- Power output (RMS) @ 2 ohm: 2x300W
- Power output (RMS) @ 4 ohm: 2x180W
- Power output bridged (RMS) @ 2 ohm: 1000W
- Power output bridged (RMS) @ 4 ohm: 600W
- LPF crossover control: 50Hz-20kHz
- HPF crossover control: 15kHz-1kHz
- Input sensitivity: 200MV
- Signal-to-noise ratio: 100dB
- Bass boost: 0-12dB (50Hz)
- Frequency response: 15Hz-20kHz
- Operation Voltage: 9-16V
- Input impedance: 56k ohm
- Thermal management: Smart cooler (fan powered by temperature or audio, 3 speeds)
- Protection system: Output short/high/low supply voltage / thermal protection

SE800.2DF

- Number of channels: 2 CH
- Power output (RMS) @ 1 ohm: 2x800W
- Power output (RMS) @ 2 ohm: 2x450W
- Power output (RMS) @ 4 ohm: 2x250W
- Power output bridged (RMS) @ 2 ohm: 1600W
- Power output bridged (RMS) @ 4 ohm: 900W
- LPF crossover control: 50Hz-20kHz
- HPF crossover control: 15kHz-1kHz
- Input sensitivity: 200MV
- Signal-to-noise ratio: 100dB
- Bass boost: 0-12dB (50Hz)
- Frequency response: 15Hz-20kHz
- Operation Voltage: 9-16V
- Input impedance: 56k ohm
- Thermal management: Smart cooler (fan powered by temperature or audio, 3 speeds)
- Protection system: Output short/high/low supply voltage / thermal protection

SE500.4DF

- Number of channels: 4 CH
- Power output (RMS) @ 1 ohm: 4x500W
- Power output (RMS) @ 2 ohm: 4x250W
- Power output (RMS) @ 4 ohm: 4x150W
- Power output bridged (RMS) @ 2 ohm: 2x1000W
- Power output bridged (RMS) @ 4 ohm: 2x 500W
- LPF crossover control: 50Hz-6kHz
- HPF crossover control: 15kHz-6kHz
- Input sensitivity: 200MV
- Signal-to-noise ratio: 100dB
- Bass boost: 0-12dB (50Hz)
- Frequency response: 10Hz-20kHz
- Operation Voltage: 9-16V
- Input impedance: 56k ohm
- Thermal management: Smart cooler (fan powered by temperature or audio, 3 speeds)
- Protection system: Output short/high/low supply voltage / thermal protection

THE POWER/SPEAKER CONNECTIONS (FIG 1)

To get the very best performance out of your Bass Habit SPL Elite amplifier, carefully follow the below instructions:

Ground Connection (GND):

Connect the amplifiers Ground (GND) terminal to a solid point on the vehicles metal chassis, as close to the amplifiers as possible.

Scrape away any paint from this location; use a star-type lock washer to secure the connection.

Ground wire minimum size:

SE500.2DF min. 4 awg/ 20mm²

SE800.2DF min. 4 awg/ 20mm²

SE500.4DF min. 2 awg/ 35mm²

Power Connection (+12V):

Connect a wire directly to the vehicles positive battery terminal, and install an appropriate fuse and holder within 30cm/12" from the battery terminal.

Keep the fuse uninstalled at the time for routing and connecting the power wire. Be sure to use grommets whenever routing wires through the firewall or other metal parts. When routing/connecting is done, installation of the fuse into fuse holder can be finalised.

+12V wire minimum size:

SE500.2DF min. 4 awg/ 20mm²

SE800.2DF min. 4 awg/ 20mm²

SE500.4DF min. 2 awg/ 35mm²

Remote Connection (REM):

Connect the amplifiers Remote (REM) terminal to the source unit Remote turn on lead using a minimum of 0.75mm²/18 gauge wire.

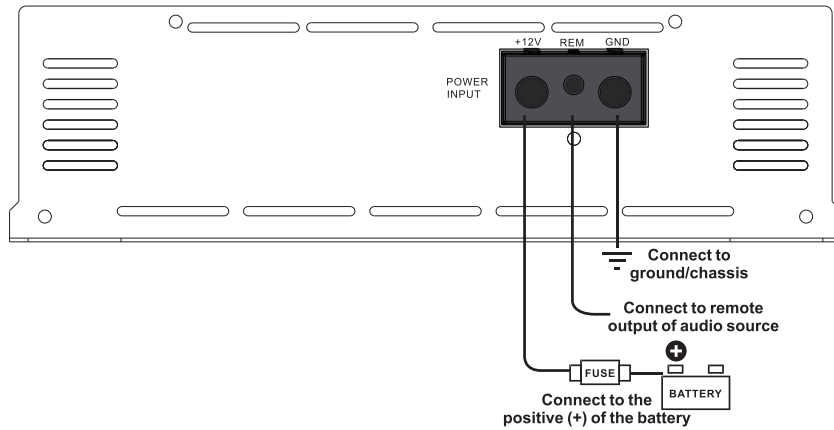
If your source unit does not have a turn on connection, connect the amplifier (REM) terminal through a power switch button which can provide a +12V signal.

Speaker connections (SPEAKER OUTPUT):

Speaker connections should be made using a minimum of 1,25mm²/16 gauge wire. *Minimum total allowed impedance load is 1 ohm. 2 ohm in bridged mode.*

Fig 1 THE POWER CONNECTIONS

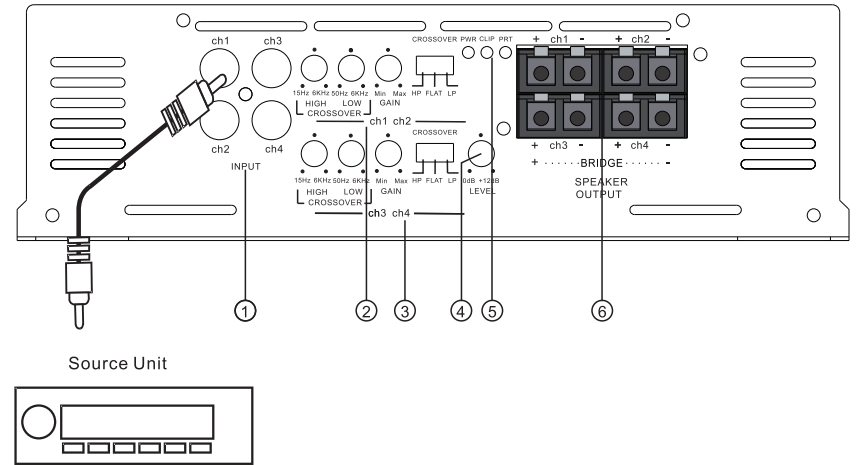
SE500.2DF / SE800.2DF/SE500.4DF



THE SPEAKER CONNECTIONS (SPEAKER OUTPUT) (FIG2):

Speaker connections should be made using a minimum of 1.25mm²/16-gauge wire.
Minimum allowed impedance load is 10OHM(20HM bridged mode)

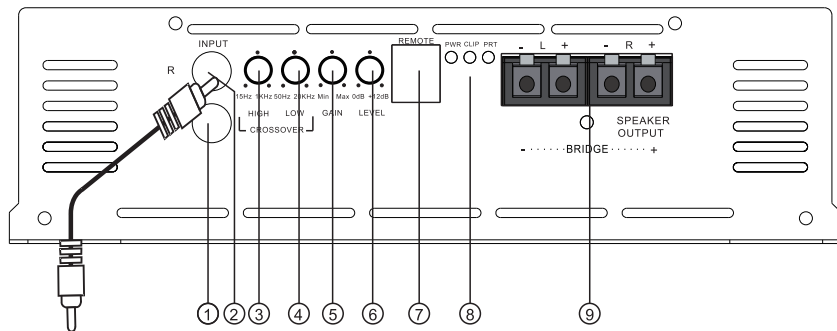
SE500.4DF



1	RCA signal input (4 Channel)	To connect the RCA signal wire from the audio source/ head unit
2	Crossover: Channel 1 and Channel 2	HPF: 15Hz-6KHz
		LPF: 50Hz-6KHz
3	Crossover: Channel 3 and Channel 4	Gain: Input signal level adjustment 0.2V-6V
		HPF: 15Hz-6KHz
4	Bass Boost(LEVEL)	LPF: 50Hz-6KHz
		Gain: Input signal level adjustment 0.2V-6V
5	Power status,Clipping and Protection LED	To adjust the Bass Boost Level for CH3/4(0dB-12dB)
6	Speaker Output	Indicating the power and clipping status and activated protection mode
		To be connected to one or more speakers

Fig 3 FRONT PANEL CONNECTOR

SE500.2DF / SE800.2DF



Source Unit

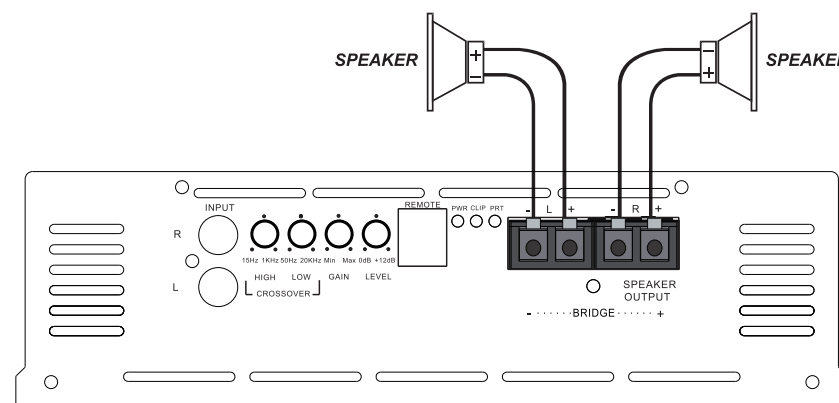


1	RCA signal input L	To connect the RCA signal wire from the audio source/ head unit
2	RCA signal input R	To connect the RCA signal wire from the audio source/ head unit
3	High pass filter (HPF)	To adjust the High pass filter's crossover point (15Hz -1KHz)
4	Low pass filter (LPF)	To adjust the Low pass filter's crossover point (50Hz -20KHz)
5	Gain	Input signal level adjustment 0.2V-6V
6	Bass Boost(LEVEL)	To adjust the Bass Boost level(0db-12db)
7	Remote	Input for connection of the bass remote control
8	Power status,Clipping and Protection LED	Indicating the power and clipping status and activated protection mode
9	Speaker Output	To be connected to one or more speakers

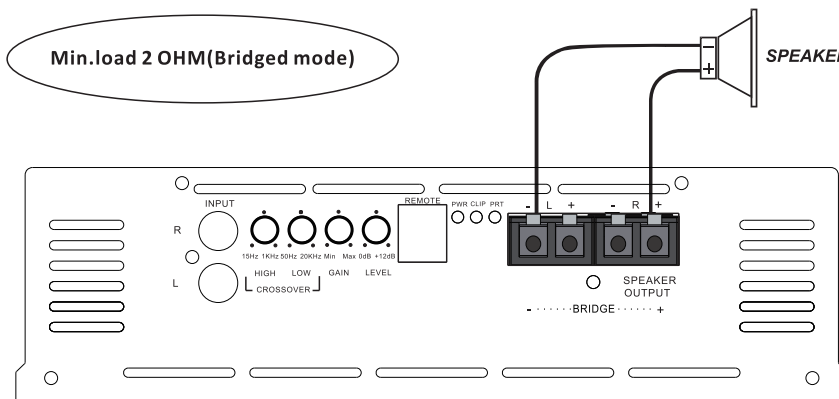
Fig 2 THE SPEAKER CONNECTION

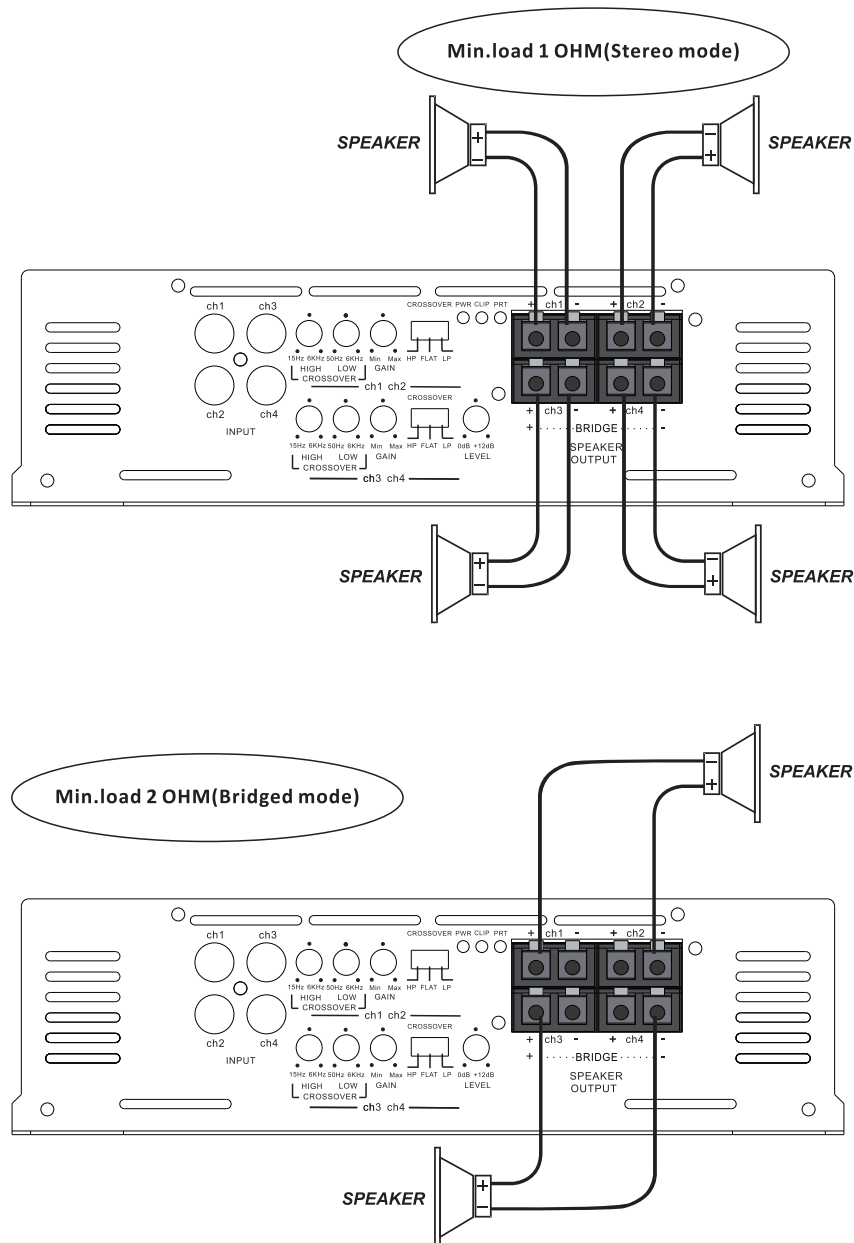
SE500.2DF / SE800.2DF

Min.load 1 OHM(Stereo mode)



Min.load 2 OHM(Bridged mode)





THE FRONT PANEL (FIG 3)

Bass Habit SPL Elite amplifiers are Class D amplifiers and can be used for all kinds of speakers and subwoofers.

Both LOW/HIGH and LOW+HIGH crossover mode is possible to use simultaneously on the SE500.2DF and SE800.2DF amplifier.

Systems using a separate subwoofer set the crossover knob to HIGH (high pass) for your full-range speakers. Adjust the crossover frequency to limit bass and provide increased system volume with less distortion. For subwoofers, a good start is around 80Hz. This will remove vocal information from the sound of the subwoofer.

While listening to music, adjust the gain/crossover/subsonic/bass boost for the least perceived distortion from the speakers, allowing them to reproduce as much bass as possible.

Line Inputs (LINE IN)

Connect the line outputs from your source unit and connect them to the Line L and R inputs.

Input level control (GAIN):

GAIN control is a seamless adjustable between 0,2V- 6 V.

Tips for adjusting the GAIN control correctly:

- Initially turn the GAIN control to minimum (counter clockwise).
- On the source unit, increase the volume control to the 3/4 of maximum volume.
- Slowly increase the GAIN control until you hear slight distortion in the speaker/speakers.
- Then reduce the GAIN slightly until distortion is no longer heard.

Bass Boost control (BASS BOOST):

Bass Boost is seamless adjustable between 0-12 db (50 Hz)

Please use the BASS BOOST knob with care, excessive use can damage your system!

LPF Crossover (LPF):

The low pass filter is seamless adjustable between 32-300 Hz.

A good starting point is "80 Hz", this will remove the vocal information from the subwoofer.

Remote Level Control (REMOTE)

SE500.2DF and SE800.2DF have inputs for an remote level control for adjustment of the input level at the listening position. Connect the remote control cable using the REMOTE input jack on the amplifier.