

# REBEL

## RA2000W



2000W

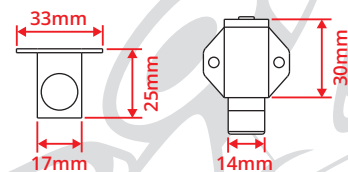
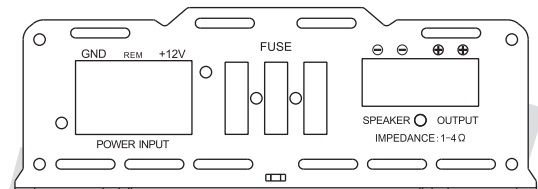
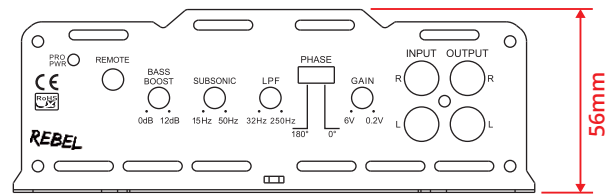
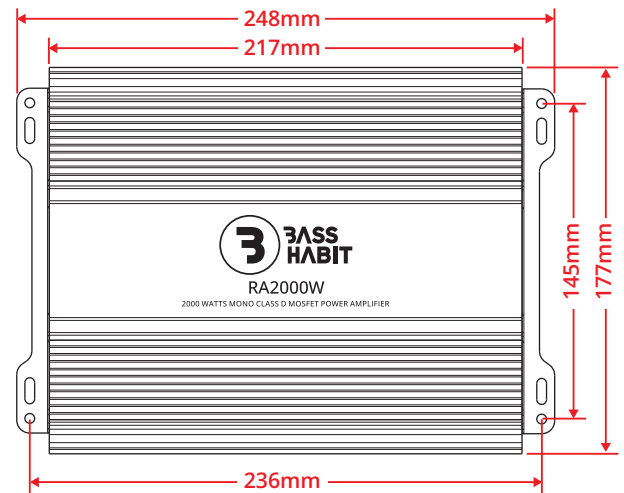
D  
Class

- ③ 1 channel amplifier, Class D
- ③ Great price vs performance ratio
- ③ Heavy and efficient heatsink for "Best in class" reliability & performance
- ③ Variable 12dB / Octave crossovers
- ③ 4 Way Protection Circuit
- ③ Remote subwoofer level control included

### Product Specifications

Total Power:	2000W MAX
Power (1 ohm):	1x1000W RMS *
Power (2 ohm):	1x650W RMS *
Power (4 ohm):	1x400W RMS *
S/N ratio:	90dB
Freq. response:	15Hz - 250Hz
Low Pass filter:	32Hz - 250Hz
Subsonic filter:	15Hz - 50Hz
Bass boost:	0 - 12 dB (45Hz)
Input adjustment	0.2V - 6V
Voltage:	10V - 16V
Protect:	Short Circuit protection
	Overload protection
	DC protection
	Thermal protection

\* RMS Power at 14.4 V, THD 1%



Recommended 12V+ cable	Recommended REM cable	Recommended GND cable	Recommended fuse rating
2 AWG / 33mm <sup>2</sup>	18-10 AWG / 0.75-6mm <sup>2</sup>	2 AWG / 33mm <sup>2</sup>	125A