

Play

PL112A

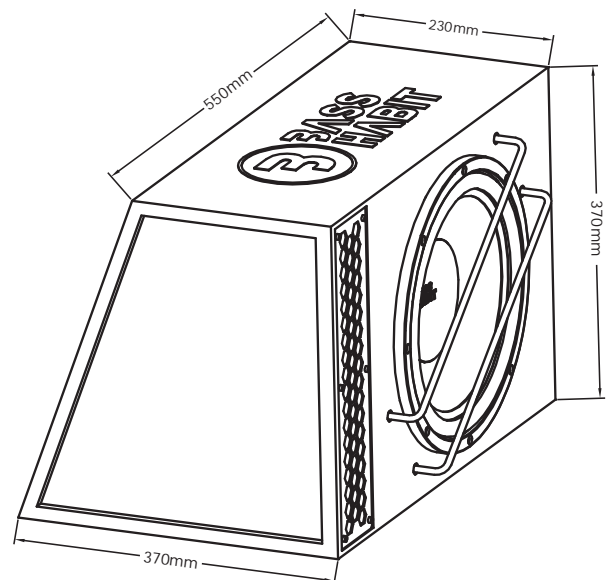
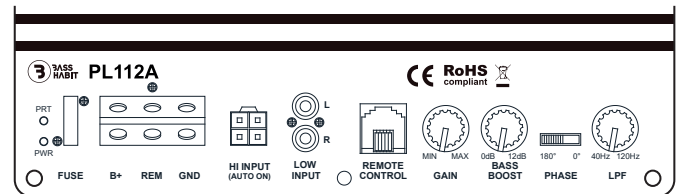


450W PEAK
AB Class

- 1x12" active loaded enclosure
- Made with 18mm MDF material & protected with black carpet
- Proprietary high-flow side slot port including a custom metal grill
- Built-in 450W Peak power Class AB amplifier
- Durable PP cone / Steel basket / Rubber suspension

Product Specifications

Component	Active Subwoofer Enclosure
Size	1x300mm (1x12")
Enclosure volume	43L
Port	Slot port
Fb	45Hz
Weight	16.5kg
Enclosure Information (PL112A)	
Type	Vented, powered subwoofer
Amplifier	Built-in Class A/B
RMS Power	150W
MAX Power	300W
PEAK Power	450W
Frequency Response	20-200Hz
Adjustable X-over	Low Pass Filter, 40-120Hz
Adjustable Phase	180/0
Low Level Input	Yes, RCA
High Level Input	Yes, with Auto-ON
Built-in fuse	20A
Bass Boost	0-12dB
Subwoofer Information (PL300)	
RMS Power	200W
MAX Power	400W
PEAK Power	600W
Impedance	4 ohm
Sensitivity	88dB
Cone & Frame	PP & Steel
Magnet	Ferrite
Voice Coil Ø	51mm (2")



Netto weight	Gross weight	Carton size	EAN Code
16.5kg	17.8kg	58x40x41cm	7394409027427